

# MC-F "DOUBLE-CHANNEL"

## Pump with flanged port

⇒ for sewage water



### PERFORMANCE RANGE

- Flow rate up to **500 l/min** (30 m<sup>3</sup>/h)
- Head up to **12 m**

### APPLICATION LIMITS

- **5 m** maximum immersion depth
- Maximum liquid temperature **+40 °C**
- Passage of suspended solids up to **Ø 50 mm**
- **300 mm** minimum immersion depth for continuous service

### CONSTRUCTION AND SAFETY STANDARDS

- Complete with **5 m** long power cable
  - Float switch for single-phase versions
- ⇒ The "CF" delivery elbow is available separately

EN 60335-1  
IEC 60335-1  
CEI 61-150

EN 60034-1  
IEC 60034-1  
CEI 2-3



### CERTIFICATIONS



### INSTALLATION AND USE

**MC-F** submersible pumps are suitable for draining **dirty water and sewage** in domestic and civil applications. They come equipped with a **DOUBLE-CHANNEL** stainless steel impeller and are capable of pumping liquids containing short fibred suspended solids up to Ø 50 mm.

They are ideal for pumping sewage water, waste water, surface water and water mixed with mud in locations such as holiday homes and detached homes.

These pumps distinguish themselves for their reliability, which can be best appreciated under automatic operating conditions in fixed installations.

### PATENTS - TRADE MARKS - MODELS

- Patent pending n° BO2008A000494, BO2008A000496

### OPTIONALS AVAILABLE ON REQUEST

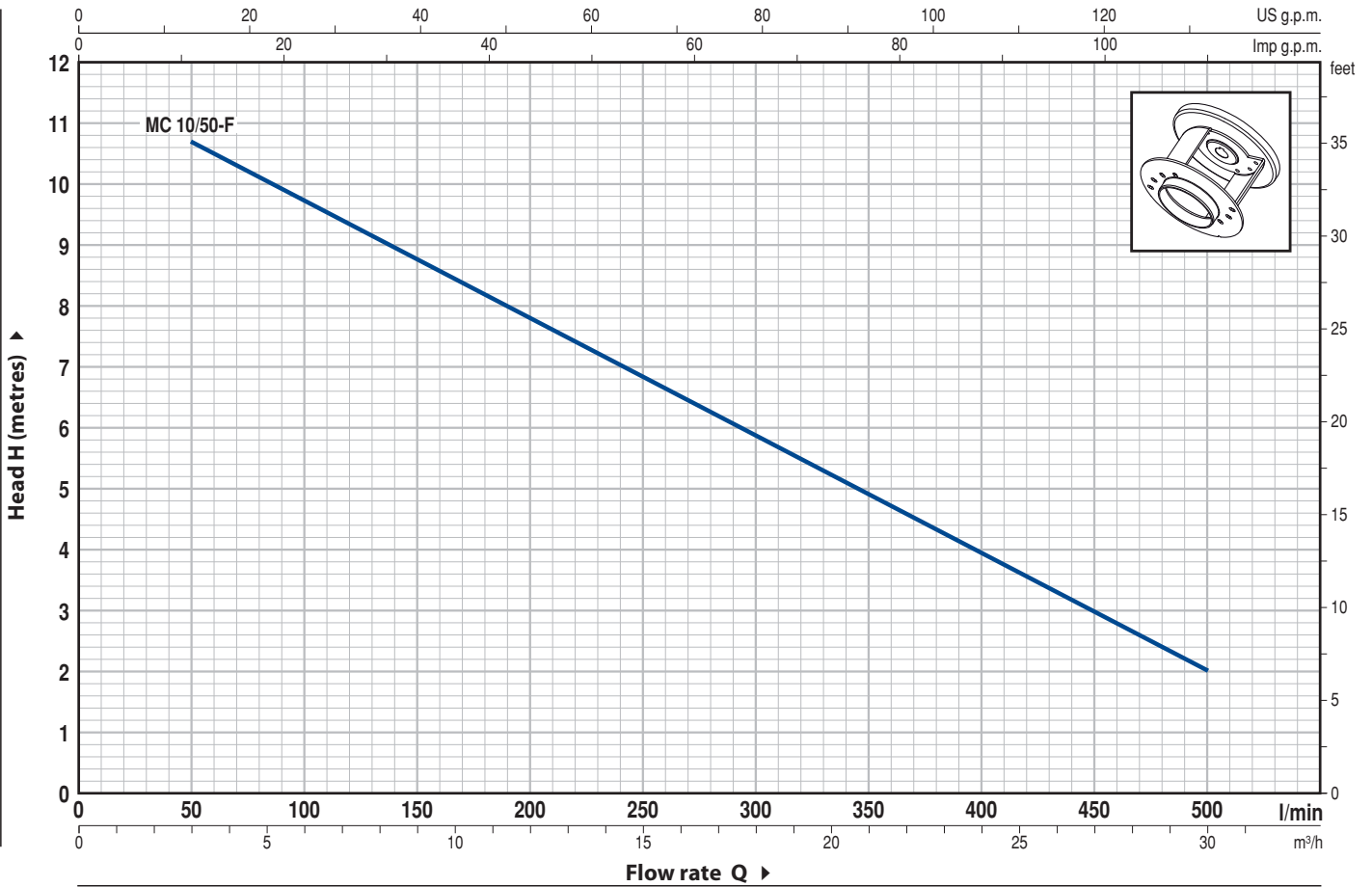
- "CF" Delivery kit - discharge elbow with bolts and seal.
- Pumps with a **10 m** long power cable
  - ⇒ N.B. Standard EN 60335-2-41 states that the power cable must be 10 m long for outdoor applications
- Single-phase pumps without float switch
- Other voltages or 60 Hz frequency

### GUARANTEE

2 years subject to terms and conditions

**CHARACTERISTIC CURVES AND PERFORMANCE DATA**

**50 Hz n= 2900 1/min**



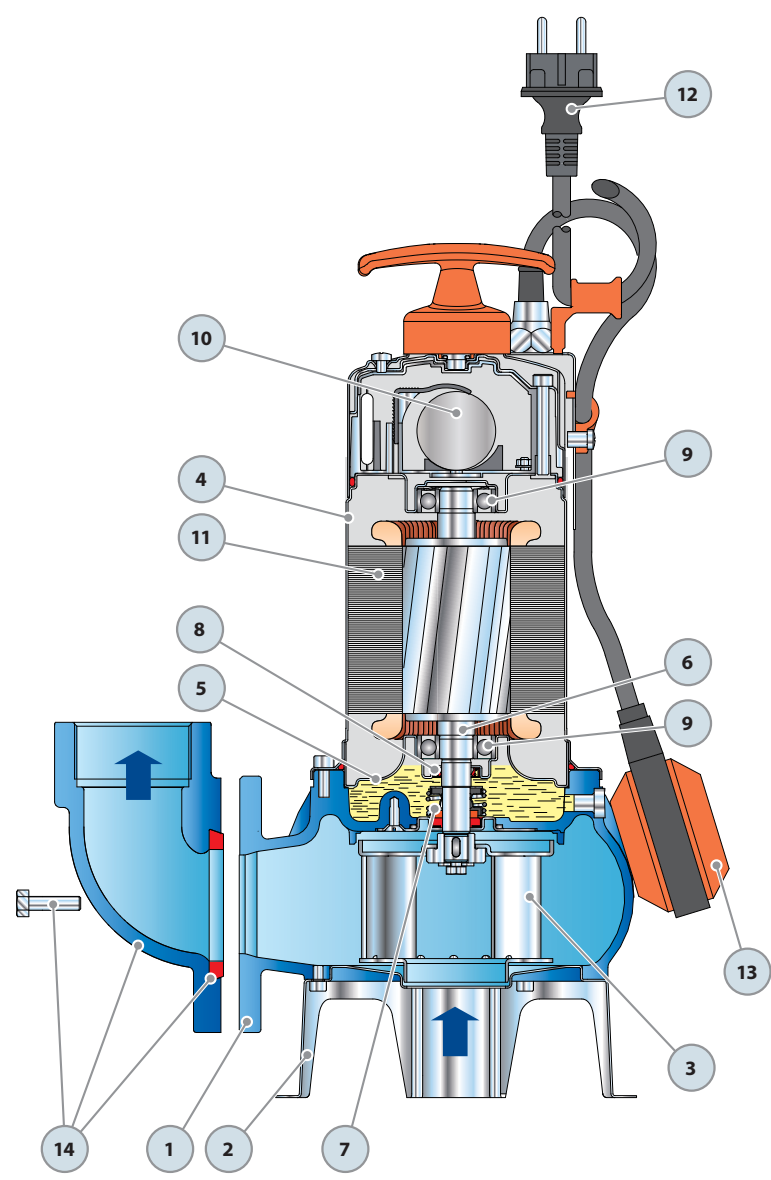
MODEL		POWER		Q	Flow rate													
Single-phase	Three-phase	kW	HP		0	3	6	9	12	15	18	21	24	27	30			
MCm 10/50-F	MC 10/50-F	0.75	1	H metres	12	10.7	9.7	8.7	7.8	6.8	5.9	5	4	3	2			

Q = Flow rate H = Total manometric head

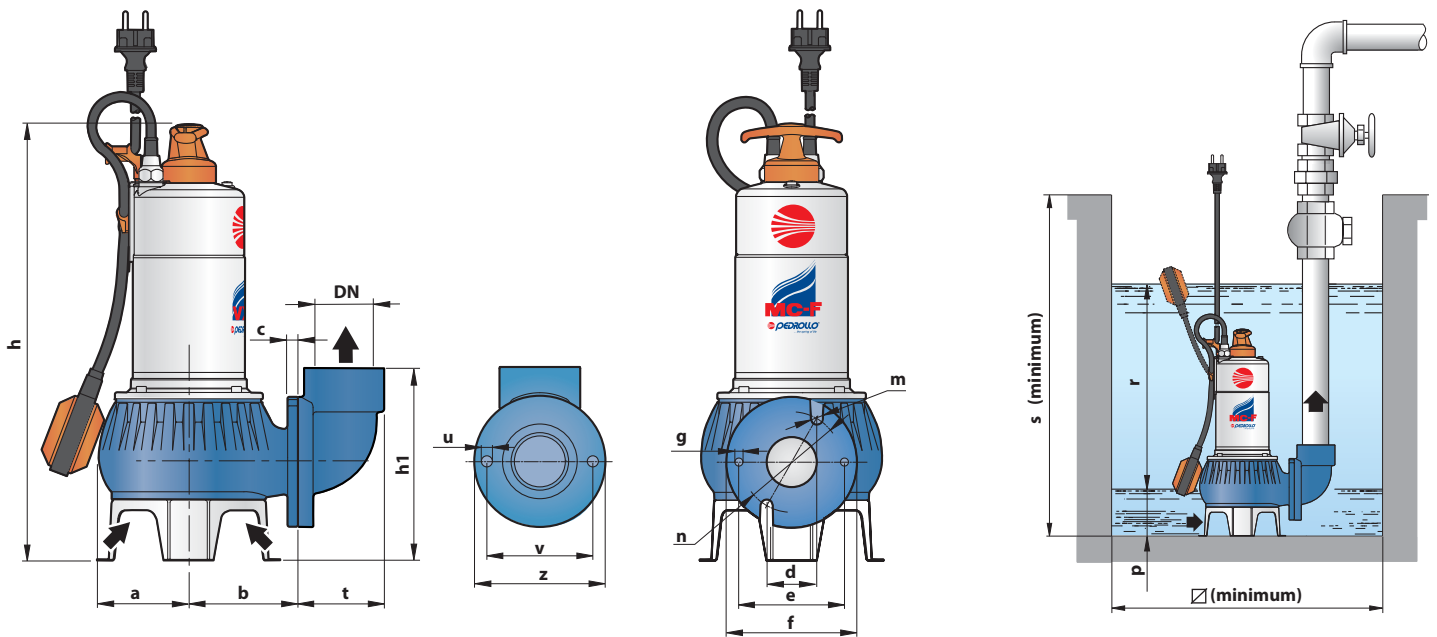
Tolerance of characteristic curves in compliance with EN ISO 9906 App. A.

# MC-F "DOUBLE-CHANNEL"

POS.	COMPONENT	CONSTRUCTION CHARACTERISTICS			
1	<b>PUMP BODY</b>	Cast iron, complete with flanged port			
2	<b>BASE</b>	Stainless steel aisi 304			
3	<b>IMPELLER</b>	Stainless steel AISI 304 DOUBLE-CHANNEL type			
4	<b>MOTOR CASING</b>	Stainless steel AISI 304			
5	<b>MOTOR CASING PLATE</b>	Stainless steel AISI 304			
6	<b>MOTOR SHAFT</b>	Stainless steel EN 10088-3 - 1.4104			
7	<b>SHAFT WITH DOUBLE SEAL AND OIL CHAMBER</b>				
	<i>Seal</i>	<i>Shaft</i>	<i>Materials</i>		
	<i>Model</i>	<i>Diameter</i>	<i>Stationary ring</i>	<i>Rotational ring</i>	<i>Elastomer</i>
	<b>MG1-14 SIC</b>	<b>Ø 14 mm</b>	Ceramic	Silicon carbide	NBR
8	<b>LIP SEAL</b>	<b>Ø 15 x Ø 24 x H 5 mm</b>			
9	<b>BEARINGS</b>	<b>6203 ZZ / 6203 ZZ</b>			
10	<b>CAPACITOR</b>				
	<i>Capacitance</i>				
	<i>(230 V or 240 V)</i>	<i>(110 V)</i>			
	<b>20 µF 450 VL</b>	<b>30 µF 250 VL</b>			
11	<b>ELECTRIC MOTOR</b>				
	<ul style="list-style-type: none"> <li>- Single-phase 230 V - 50 Hz with thermal overload protector built-in to the winding</li> <li>- Three-phase 400 V - 50 Hz</li> <li>- Insulation: F class</li> <li>- Protection: IP 68</li> </ul>				
12	<b>POWER CABLE</b>				
	<b>5 metre long "H07 RN-F" cable (with Schuko plug on single-phase versions only)</b>				
13	<b>FLOAT SWITCH</b>				
	(only for single-phase versions)				
14	<b>"CF" CURVED DELIVERY KIT</b>				
	Complete with:				
	- cast iron flanged curved delivery attachment				
	- seal				
	- stainless steel screws				



## DIMENSIONS AND WEIGHT



MODEL		solids passage	DIMENSIONS mm														kg	
Single-phase	Three-phase		a	b	c	d	e	f	g	h	m	n	p	r	s	∅	1~	3~
MCm 10/50-F	MC 10/50-F	∅ 50 mm	90	110	11	50	105	130	M10	437	12	100	60	variable	500	500	<b>14.5</b>	<b>13.2</b>

MODEL		PORT DN	DIMENSIONS mm					kg
Curved delivery			h1	t	u	v	z	
CF		2"	192	85	11	105	130	<b>2.4</b>

## ABSORPTION

MODEL	VOLTAGE (single-phase)		
	Single-phase	230 V	240 V
MCm 10/50-F	<b>5.2 A</b>	<b>5.2 A</b>	<b>11.7 A</b>

MODEL	VOLTAGE (three-phase)			
	Three-phase	230 V	400 V	240 V
MC 10/50-F	<b>3.6 A</b>	<b>2.1 A</b>	<b>3.6 A</b>	<b>2.1 A</b>

## PALLETIZATION

MODEL		GROUPAGE				CONTAINER			
Single-phase	Three-phase	n° pumps	H (mm)	kg		n° pumps	H (mm)	kg	
				1~	3~			1~	3~
MCm 10/50-F	MC 10/50-F	<b>60</b>	1520	887	809	<b>80</b>	1980	1177	1073

